

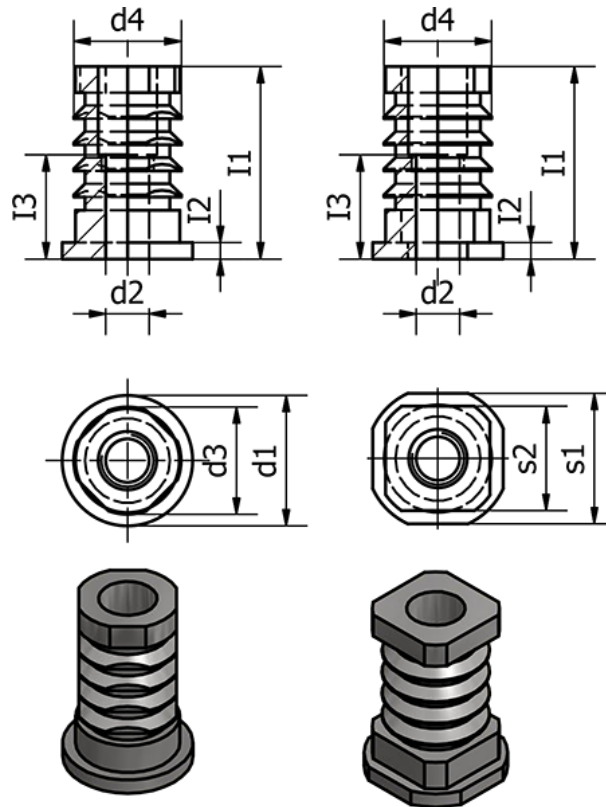
# Data Sheet



Article number: 209925D20M8

Description: E+G Threaded end-caps - GN 992.5-D20-M8

## Measures



d1 = 20

d2 = M8

d3 = 16

d4 = 16.5

I1 = 29.5

I2 = 2.5

I3 = 16

s1 =

s2 =

Weight (g) = 28